

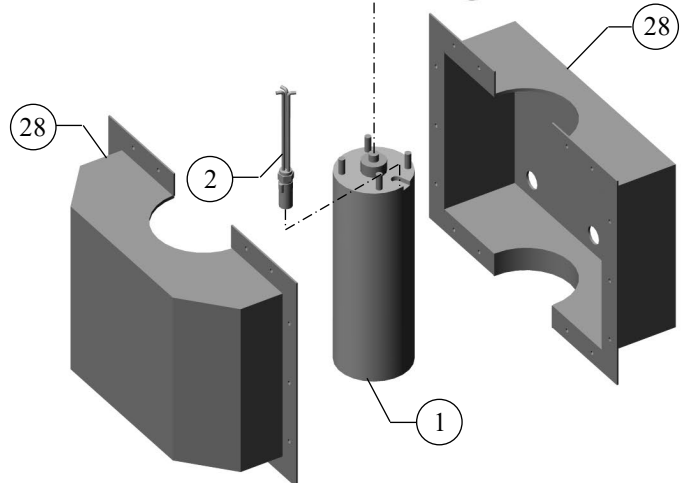
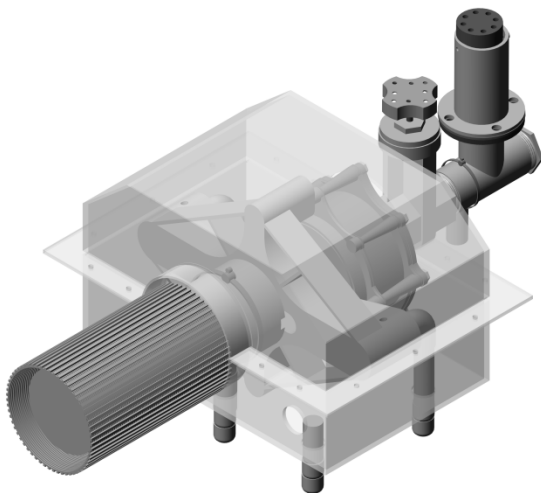
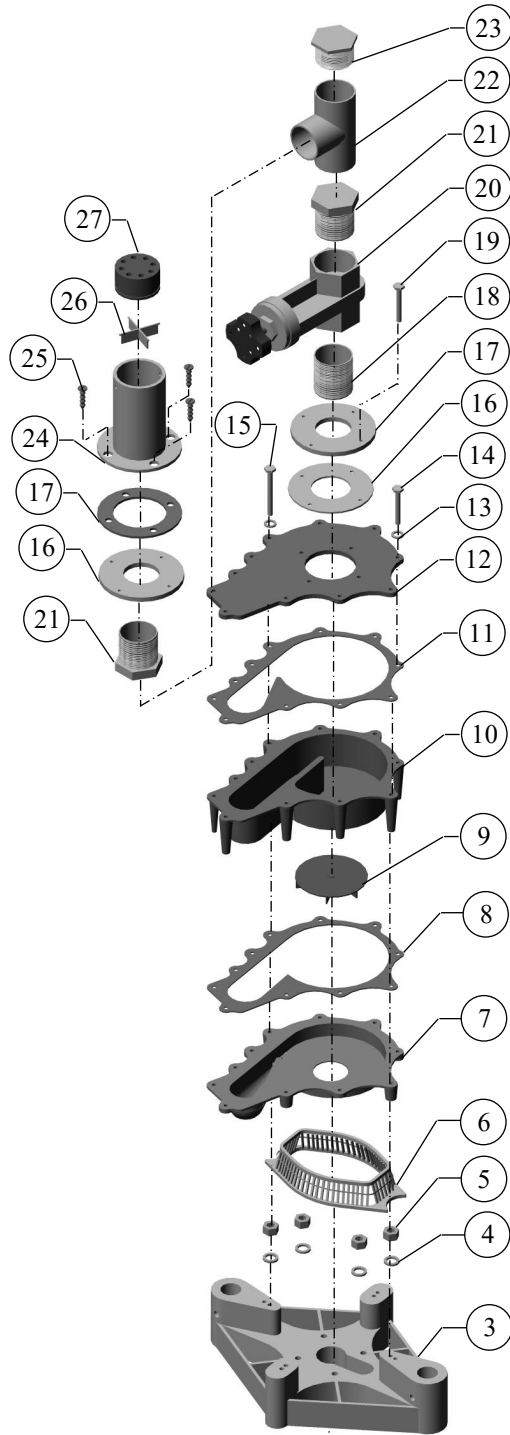
GULF STREAM PARTS LIST

2	WIRE ASSEMBLY, 12/4, 50'	1	90WA50GS
3	MOUNT, MOTOR, FNA	1	04MMFAIM
4	WASHER, FLAT, 5/16"	4	18079025
5	NUT, LOCK, 5/16-24"	4	18078500
6	SHROUD, IMPELLER	1	70PGFNACP
7	HOUSING, PUMP	1	64PH-PIMG
8	GASKET, HOUSING, PUMP	1	64PHG2
9	IMPELLER	1	SEE LISTING
10	RETURN, PUMP	1	64PR-PIMG
11	GASKET, RETURN, PUMP	1	64PRG2
12	LID, PUMP	1	64PRL-PIMG
13	WASHER, FLAT, 1/4"	11	18079020
14	SCREW, NYLON PATCH, 1/4-20 X 2-3/4"	7	18101025275LNP
15	SCREW, NYLON PATCH, 1/4-20 X 3-3/4"	4	18101025375NP
16	GASKET, NOZZLE	2	64GFN
17	ADAPTOR, FLANGE	2	76FPVC25
18	NIPPLE, 2-1/2", PVC	1	76NP212
19	SCREW, 1/4-20 X 1-1/4", HHCS	4	18001290
20	VALVE, GATE, 2-1/2"	1	75GV212
21	ADAPTOR, MALE, 2-1/2", PVC	2	76MTP212
22	TEE, 2-1/2", PVC	1	76TP212
23	CAP, 2-1/2", PVC	1	76CP212
24	PLENUM, WATER	1	64WPCP
25	SCREW, NYLON PATCH, 1/4-20 X 3/4"	4	1830622550NP
26	STRAIGHTENER, FLOW	1	64FSCP
27	NOZZLE ASSEMBLY	1	SEE LISTING
28	PUMP MOUNTING CHAMBER ASSEMBLY	1	90GSPMC

ITEM 1, MOTOR, FRANKLIN	PART NUMBER
1-HP, 230-VOLT, 1-PH,	4921450812
2-HP, 230-VOLT, 1-PH	4922430188
3-HP, 230-VOLT, 1-PH	4922430288
2-HP, 230-VOLT, 3-PH	49234315061
3-HP, 230-VOLT, 3-PH	4923431606

ITEM, 27 NOZZLE ASSEMBLY	PART NUMBER
NOVA	90NA-NOV
NORTHSTAR	90NA-NOR
SOLACE	90NA-SOL
GALAXY	90NA-GAL
DIANA	90NA-DIA

ITEM 9, IMPELLER	PART NUMBER
ONE HORSEPOWER	70CPIM1
TWO HORSEPOWER	70CPIM2
THREE HORSEPOWER	70CPIM3



GULF STREAM COMPONENTS

5/27/2022

ITEM	PART NUMBER	DESCRIPTION	PRICE
1	MOTOR FRANKLIN	SEE BELOW	
2	58152735911	MOTOR LEAD, 3W	62.00
3	04MMFAIM	MOTOR MOUNT	268.00
4	18079025	WASHER, FLAT, 5/16	0.20
5	18078500	NUT, LOCK, 5/16-24	0.50
6	70PGFNACP	SHROUD, IMPELLER	8.00
7	64PH-PIMG	PUMP HOUSING	90.00
8	64PHG2	GASKET, PUMP HOUSING	8.75
9	IMPELLER	SEE BELOW	
10	64PR-PIMG	RETURN, PUMP	90.00
11	64PRG2	GASKET, RETURN, PUMP	8.75
12	64PRL-PIMG	LID, PUMP	65.00
13	18079020	WASHER, FLAT, 1/4"	0.20
14	18101025275NP	SCREW, NYLON, 1/4-20 x 2-3/4"	2.85
15	18101025375NP	SCREW, NYLON, 1/4-20 x 3-3/4"	3.90
16	64GFN	GASKET, NOZZLE	6.75
17	76FPVC25	ADAPTER, FLANGE	65.00
18	76NP212	NIPPLE, PVC, 2-1/2"	8.00
19	18001290	SCREW, HHCS, 1/4-20 x 1-1/4"	0.55
20	75GV212	VALVE, GATE, 2-1/2"	210.00
21	76MTP212	ADAPTOR, MALE, 2-1/2", PVC	15.00
22	76TP212	TEE, 2-1/2", PVC	20.00
23	76CP212	CAP, 2-1/2", PVC	8.00
24	64WPCP	PLENIUM, WATER	26.00
25	1810102575NP	SCREW, HHCS, 1/4-20 x 3/4" LOCK	2.85
26	64FSCP	STRIGHTNER, FLOW	7.75
27	NOZZLE ASSY.	SEE BELOW	
28	90GSPMC	PUMP MOUNTING CHAMBER ASSEMBLY	590.00
	49214508061	1 HP, 230 VOLT, 1 PH, 60 Hz, 600M	1,254.00
	49224301061	2 HP, 230 VOLT, 1 PH, 60 Hz, 600M	1,599.00
	49224302062	3 HP, 230 VOLT, 1 PH., 60 Hz, 600M	2,061.00
	49234524061	1.5 HP, 230 VOLT, 3 PH., 60 Hz, 600M	1,340.00
	49234315061	2 HP, 230 VOLT, 3 PH., 60 Hz, 600M	1,305.00
	49234316062	3 HP, 230 VOLT, 3 PH., 60 Hz, 600M	1,711.00
	70CPIM1	IMPELLER, 1HP	62.00
	70CPIM2	IMPELLER, 2HP	62.00
	70CPIM3	IMPELLER, 3HP	62.00
	90NAPVCNOV	NOVA, NOZZLE ASSEMBLY	130.00
	90NAPVCGAL	GALAXY, NOZZLE ASSEMBLY	130.00
	90NAPVCDIA	DIANA, NOZZLE ASSEMBLY	130.00
	90NAPVCSOL	SOLACE, NOZZLE ASSEMBLY	130.00
	90NAPVCNOR	NORTHSTAR, NOZZLE ASSEMBLY	130.00
	90DSGS	DEBRIS SCREEN, GULF STREAM	42.00

FONT'N-AIRE GULFSTREAM CONTROL PANEL COMPONENTS

5/27/22

PART NUMBER	DESCRIPTION	PRICE
94ECP12301	CONTROL PANEL,ETL,UL508, 1/230/1	1,250.00
94ECP22301	CONTROL PANEL,ETL,UL508, 2/230/1	1,595.00
94ECP32301	CONTROL PANEL,ETL,UL508, 3/230/1	1,990.00
94ECP152303	CONTROL PANEL,ETL,UL508, 1.5/230/3	2,255.00
94ECP22303	CONTROL PANEL,ETL,UL508, 2/230/3	2,260.00
94ECP32303	CONTROL PANEL,ETL,UL508, 3/230/3	2,490.00
15CB-H16147H	ENCLOSURE 16 X 14	425.00
15MPA13X15	MOUNTING PLATE	105.00
15TS-M221-3	TIME CLOCK, 230 VOLT	200.00
15TMP-A4511B	MOUNTING PLATE, TIMER	15.00
15KSHC1024	KELLUM 1/2"	15.00
90GFCI44760	EQUIPMENT LOSS INTERRUPTOR, 230V, 30 AMP	140.00
15TB11512017	TERMINAL BLOCK, BODY	3.90
15TBES118368	TERMINAL BLOCK, END SECTION	1.00
15TBES10300206	TERMINAL BLOCK, END STOP	2.30
	1 PHASE ONLY	
9028240850	BOX,CAPACITOR,STANDARD,1/230/1	159.00
9028230181	BOX,CAPACITOR,STANDARD,2/230/1	274.00
9028230281	BOX,CAPACITOR,STANDARD,3/230/1	333.00
	3 PHASE ONLY	
15BR3040	DISC. SWITCH 3ph, ROTARY, 40 AMP	348.00
15BRS180	SHAFT, 180 MM	85.00
15BRH4	HANDLE, RED/YELLOW, ON/OFF	150.00
15F-ATDR4	FUSE 4 AMP.	47.00
15F-ATDR6	FUSE 6 AMP.	47.00
15F-ATDR7	FUSE 7 AMP.	65.00
15F-ATDR10	FUSE 10 AMP.	65.00
15F-ATDR12	FUSE 12 AMP.	65.00
15F-ATDR20	FUSE 20 AMP.	65.00
15C3RT1025	CONTACTOR, 240-VOLT, COIL	270.00
15R-26-1HBO	RELAY, 2HP/230	245.00
15R-26-1KBO	RELAY, 3hp/230	245.00
90TB1PH	TERMINAL BLOCK ASSY, 1 PHASE	55.00
90TB3PH	TERMINAL BLOCK ASSY, 3 PHASE	35.00