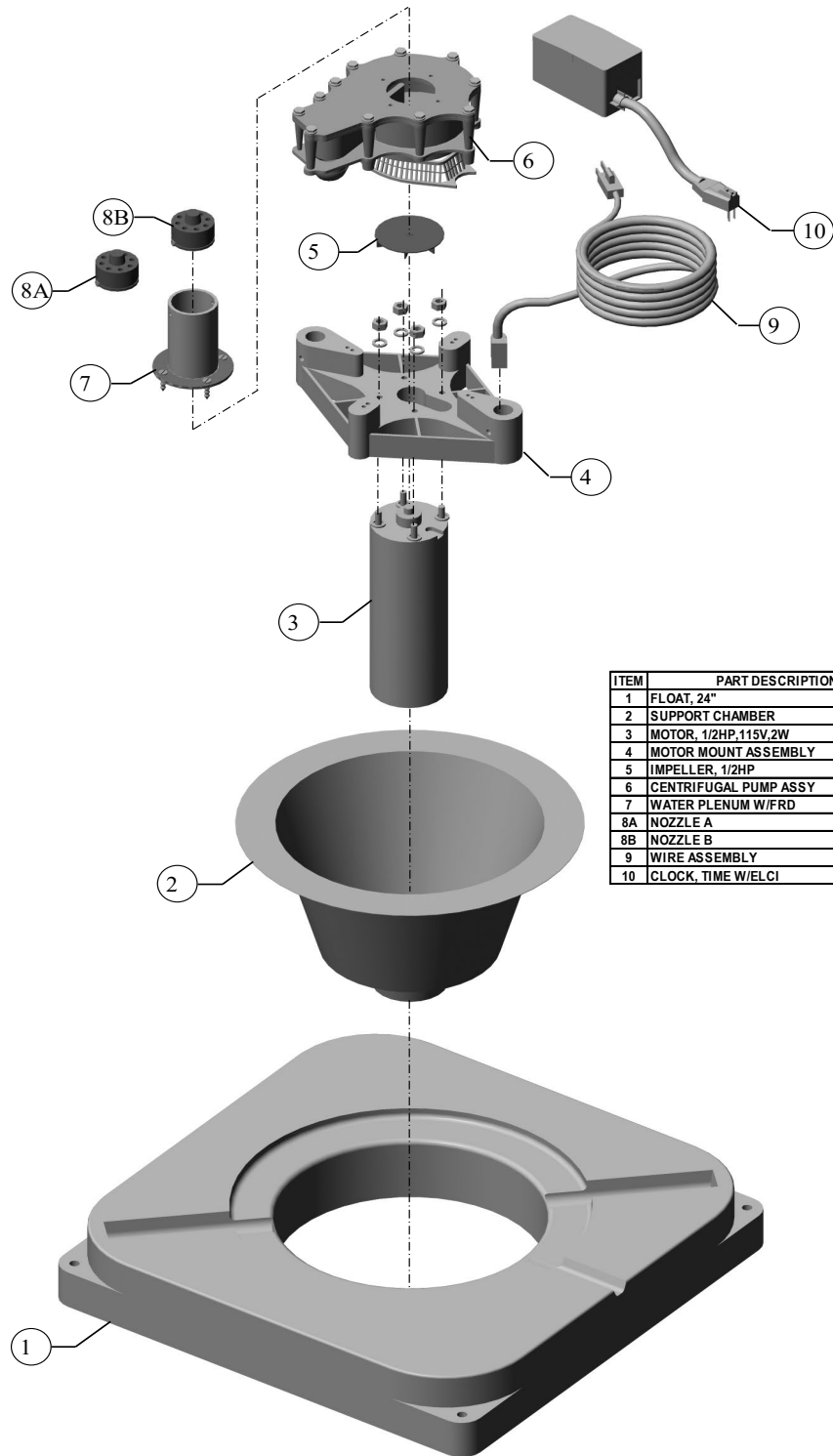


FONT'N-AIRE LEGACY SUB-ASSEMBLIES PARTS LIST



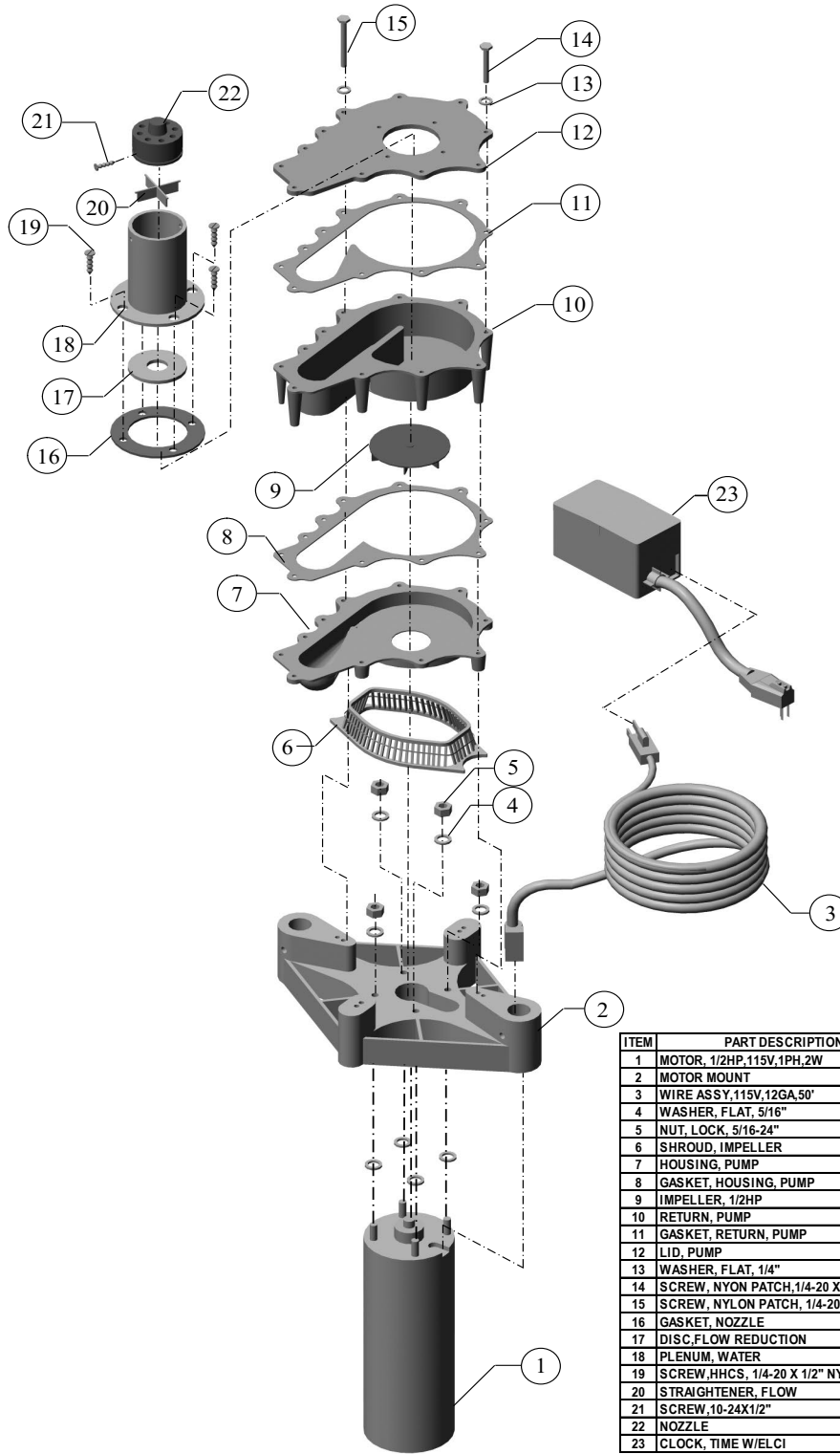
ITEM	PART DESCRIPTION	QTY	PART NUMBER
1	FLOAT, 24"	1	22FA24
2	SUPPORT CHAMBER	1	24FSC
3	MOTOR, 1/2HP,115V,2W	1	4924450490
4	MOTOR MOUNT ASSEMBLY	1	90MMLGIM
5	IMPELLER, 1/2HP	1	70CPIM12
6	CENTRIFUGAL PUMP ASSY	1	90CPA
7	WATER PLENUM W/FRD	1	90WPAFRD
8A	NOZZLE A	1	90NALGA
8B	NOZZLE B	1	90NALGB
9	WIRE ASSEMBLY	1	90W2115100123
10	CLOCK, TIME W/ELCI	1	90TC115G

LEGACY
SUB-ASSEMBLIES

5/6/2022

ITEM NO.	PART NUMBER	DESCRIPTION	PRICE
1	22FA24	FLOAT, 24"	210.00
2	24FSC	FOUNTAIN SUPPORT CHAMBER	110.00
3	4924450490	MOTOR, 1/2HP, 115V, 1PH, 2W, WL	870.00
4	90MMLGIM	MOTOR MOUNT ASSEMBLY	268.00
5	70CPIM12	IMPELLER, 1/2HP	62.00
6	90CPA	CENTRIFUGAL PUMP ASSEMBLY	320.00
7	90WPAFRD	WATER PLENUM ASSEMBLY W/FRD	55.00
8A	90NALGA	NOZZLE ASSEMBLY, A	85.00
8B	90NALGB	NOZZLE ASSEMBLY, B	85.00
9	90W2115100123	WIRE ASSEMBLY, 12/3, 100'	290.00
10	90TC115G	CLOCK, TIME W/ELCI	170.00
	90LG5115100	POWER DRIVE ASSY, (ITEMS 3-9)	2245.00

FONT'N-AIRE LEGACY CENTRIFUGAL PUMP PARTS LIST



ITEM	PART DESCRIPTION	QTY	PART NUMBER
1	MOTOR, 1/2HP, 115V, 1PH, 2W	1	4924450490
2	MOTOR MOUNT	1	04MMFAIM
3	WIRE ASSY, 115V, 12GA, 50'	1	90W2115100123
4	WASHER, FLAT, 5/16"	4	18079025
5	NUT, LOCK, 5/16-24"	4	18078500
6	SHROUD, IMPELLER	1	70PGFNACP
7	HOUSING, PUMP	1	64PH-PIMG
8	GASKET, HOUSING, PUMP	1	64PHG2
9	IMPELLER, 1/2HP	1	70CPIM12
10	RETURN, PUMP	1	64PR-PIMG
11	GASKET, RETURN, PUMP	1	64PRG2
12	LID, PUMP	1	64PRL-PIMG
13	WASHER, FLAT, 1/4"	11	18079020
14	SCREW, NYLON PATCH, 1/4-20 X 2-3/4"	7	18101025275NP
15	SCREW, NYLON PATCH, 1/4-20 X 3-3/4"	4	18101025375NP
16	GASKET, NOZZLE	2	64GFN
17	DISC, FLOW REDUCTION	1	64FRD
18	PLENUM, WATER	1	64WPCP
19	SCREW, HHCS, 1/4-20 X 1/2" NYLON PATC	4	1830622550NP
20	STRAIGHTENER, FLOW	1	64FSCP
21	SCREW, 10-24X1/2"	1	1830621050
22	NOZZLE	1	90NALGSET
23	CLOCK, TIME W/ELCI	1	90TC115G

LEGACY COMPONENTS

5/6/2022

ITEM NO.	PART NUMBER	DESCRIPTION	PRICE
1	4924450490	MOTOR, 1/2HP, 115V, 1PH, 2W, WL	870.00
2	04MMFAIM	MOTOR MOUNT	268.00
3	90W2115100123	WIRE ASSEMBLY 115V, 12GA, 100'	290.00
4	18079025	WASHER, FLAT 5/16	0.20
5	18078500	NUT, LOCK, 5/16-24	0.50
6	70PGFNACP	SHROUD, IMPELLER	8.00
7	64PH-PIMG	HOUSING, PUMP	90.00
8	64PHG2	GASKET, HOUSING, PUMP	8.75
9	70CPIM12	IMPELLER, 1/2 HP	62.00
10	64PR-PIMG	RETURN, PUMP	90.00
11	64PRG2	GASKET, RETURN, PUMP	8.75
12	64PRL-PIMG	LID, PUMP	65.00
13	18079020	WASHER, FLAT, 1/4"	0.20
14	18101025275NP	SCREW, NYLON, 1/4-20X2-3/4",nylon patch	2.85
15	18101025375NP	SCREW, NYLON, 1/4-20X3-3/4"	3.90
16	64GFN	GASKET, NOZZLE	6.75
17	64FRD	DISC, FLOW REDUCTION	3.00
18	64WPCP	PLENUM, WATER	26.00
19	1830622550NP	SCREW, NYLON, 1/4-20X1/2	1.25
20	64FSCP	STRAIGHTNER, FLOW, CP	7.75
21	1830621050	SCREW, 10-24X1/2"	0.20
22	90NALGSET	NOZZLE SET, A & B	170.00
23	90TC115G	CLOCK, TIME W/ELCI	170.00