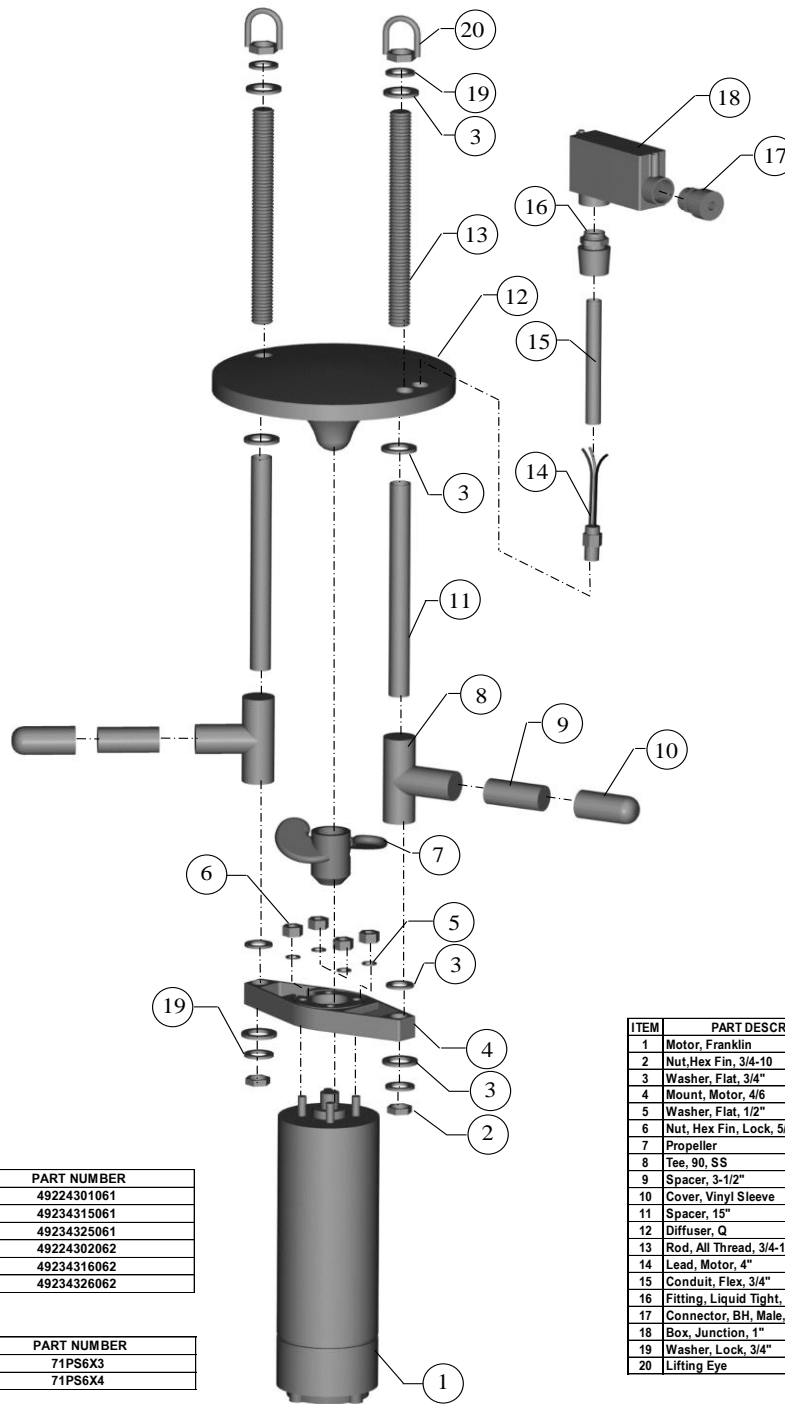


AQUARIAN COMMERCIAL AERATOR PARTS LIST



MOTOR, FRANKLIN	PART NUMBER
2-HP, 230-V, 1-PH 600M	49224301061
2-HP, 230-V, 3-PH 600M	49234315061
2-HP, 460-V, 3-PH 600M	49234325061
3-HP, 230-V, 1-PH 600M	49224302062
3-HP, 230-V, 3-PH 600M	49234316062
3-HP, 460-V, 3-PH 600M	49234326062

PROPELLERS	PART NUMBER
2-HP, 6 X 3	71PS6X3
3-HP, 6 X 4	71PS6X4

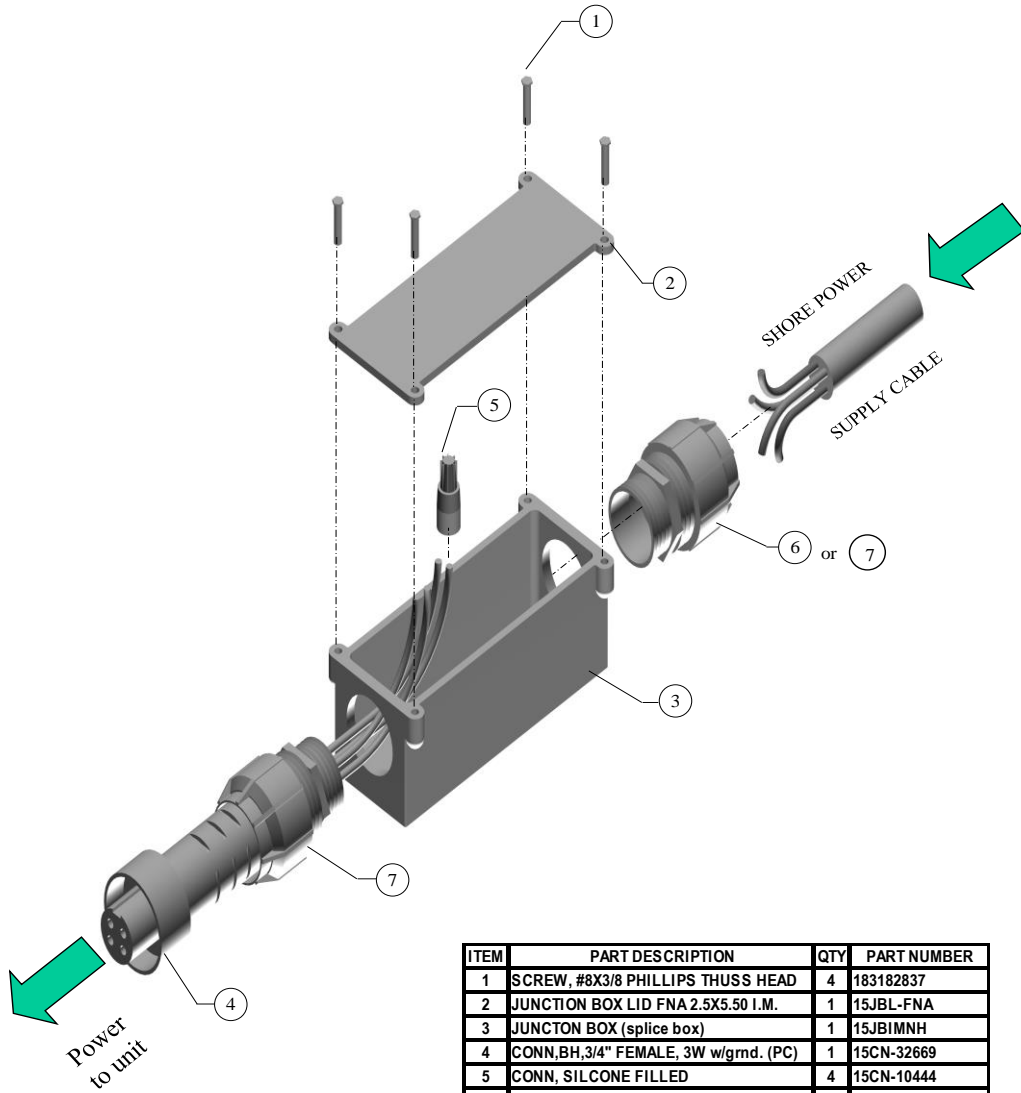
ITEM	PART DESCRIPTION	QTY	PART NUMBER
1	Motor, Franklin	1	See Listing
2	Nut, Hex Fin, 3/4-10	2	18076805
3	Washer, Flat, 3/4"	8	18079405
4	Mount, Motor, 4/6	1	61MM46
5	Washer, Flat, 1/2"	4	18079025
6	Nut, Hex Fin, Lock, 5/16-24	4	18078500
7	Propeller	1	See Listing
8	Tee, 90, SS	2	18ST190
9	Spacer, 3-1/2"	2	85SP35
10	Cover, Vinyl Sleeve	2	15VCACT1X3
11	Spacer, 15"	2	85SP15
12	Diffuser, Q	1	07DFQ12RM
13	Rod, All Thread, 3/4-10x19-1/2"	2	85SR20
14	Lead, Motor, 4"	1	58152735911
15	Conduit, Flex, 3/4"	12	15TPVC34
16	Fitting, Liquid Tight, 3/4"	1	15LT43E
17	Connector, BH, Male, 3W	1	15CN-32681
18	Box, Junction, 1"	1	15JBE986F
19	Washer, Lock, 3/4"	4	18080550
20	Lifting Eye	2	18LEN34

AQUARIAN COMMERCIAL PARTS LIST

5/27/2022

ITEM NO.	PART NO.	DESCRIPTION	PRICE
1	49234514061	MOTOR, FRANKLIN 1.5/230/3, 600M	1196.00
	49234524061	MOTOR, FRANKLIN 1.5/460/3, 600M	1196.00
	49224301061	MOTOR, FRANKLIN, 2 HP, 230V, 1 PH, 60 Hz, 600M	1,428.00
	49234315061	MOTOR, FRANKLIN, 2 HP, 230V, 3 PH, 60 Hz, 600M	1,295.00
	49234325061	MOTOR, FRANKLIN, 2 HP, 460V, 3 PH, 60 Hz, 600M	1,295.00
	49224302062	MOTOR, FRANKLIN, 3 HP, 230V, 1 PH, 60 Hz, 600M	1,926.00
	49234316062	MOTOR, FRANKLIN, 3 HP, 230V, 3 PH, 60 Hz, 600M	1,599.00
	49234326062	MOTOR, FRANKLIN, 3 HP, 460V, 3-PH, 60 Hz, 600M	1,599.00
2	18076805	NUT, 3/4-10, HEX FIN	3.00
3	18079405	WASHER, FLAT, 3/4"	2.60
4	61MM46SS	MOUNT, MOTOR, 4/6,SS	380.00
5	18079025	WASHER, FLAT, 5/16"	0.20
6	18078500	NUT, HEX FIN, LOCK, 5/16-24	0.50
7	90PR5X275	PROPELLER, 1 & 1.5HP W/PROP KEEPER	62.00
	71PS6X3	PROPELLER, 2.0 HP	295.00
	71PS6X4	PROPELLER, 3.0 HP	295.00
8	18ST190	TEE, 90, SS	25.00
9	85SP35	SPACER, 3-1/2"	10.00
10	15VCACT1X3	COVER, VINYL SLEEVE	1.25
11	85SP15	SPACER, 15"	35.00
12	07DFQ12RM	DIFFUSER, Q	270.00
13	85SR20	ROD, ALL THREAD, 3/4-10 x 20"	50.00
14	90MLA4SFAQ	MOTOR LEAD 3 W, SF,PVC & NUTS	70.00
15	15TPVC34	CONDUIT, FLEX, 3/4" (per inch)	0.25
16	15LT43E	FITTING, LIQUID TIGHT, 3/4"	15.00
17	15CC-2931NM	CORD GRIP, 3/4" (small hole)	20.00
18	15JBE986F	BOX, JUNCTION, 1"	27.00
19	18080550	LOCK WASHER, 3/4"	1.75
20	18LEN34	LIFTING EYE	28.75
TO CONVERT FROM STANDARD TO QUICK DISCONNECT			
	90SPBA3W	SPLICE BOX ASSEMBLY	248.00
	90CN32681	BH CONN, MALE, 3W W/WIRE NUTS	92.00
	15SJEOW12-4	WIRE, 12/4, SJEOW (price per ft.)	2.90
	15SEOW12-4	WIRE, 12/4, SEOW 600 Volt (price per ft.)	4.00
	15SJEOW10-4	WIRE, 10/4, SJEOW (price per ft.)	3.70
	15SEOW10-4	WIRE, 10/4, SEOW (price per ft.)	5.00
	90PDAC152303	POWER DRIVE ASSY 1.5/230/3 (ITEMS 1-20)	3,000.00
	90PDAC154603	POWER DRIVE ASSY 1.5/460/3 (ITEMS 1-20)	3,000.00
	90PDAC22301	POWER DRIVE ASSY 2/230/1 (ITEMS 1-20)	3,200.00
	90PDAC22303	POWER DRIVE ASSY 2/23/03 (ITEMS 1-20)	3,200.00
	90PDAC24603	POWER DRIVE ASSY 2/460/3 (ITEMS 1-20)	3,200.00
	90PDAC32301	POWER DRIVE ASSY 3/230/1 (ITEMS 1-20)	3,500.00
	90PDAC32303	POWER DRIVE ASSY 3/230/3 (ITEMS 1-20)	3,500.00
	90PDAC34603	POWER DRIVE ASSY 3/460/3 (ITEMS 1-20)	3,500.00
		*NOTE: UNIT LESS FLOAT, WIRE & CONTROLS	

SPLICE BOX ASSEMBLY
90SPBA3W
FOR 3 WIRE MOTOR



ITEM	PART DESCRIPTION	QTY	PART NUMBER
1	SCREW, #8X3/8 PHILLIPS THUSS HEAD	4	183182837
2	JUNCTION BOX LID FNA 2.5X5.50 I.M.	1	15JBL-FNA
3	JUNCTON BOX (splice box)	1	15JBIMNH
4	CONN,BH,3/4" FEMALE, 3W w/grmd. (PC)	1	15CN-32669
5	CONN, SILCONE FILLED	4	15CN-10444
6	CONNECTOR, 3/4 (.310-.560)	1	15CC-2931NM
7	CONNECTOR, 3/4 (.500-.750)	1	15CC-2932NM