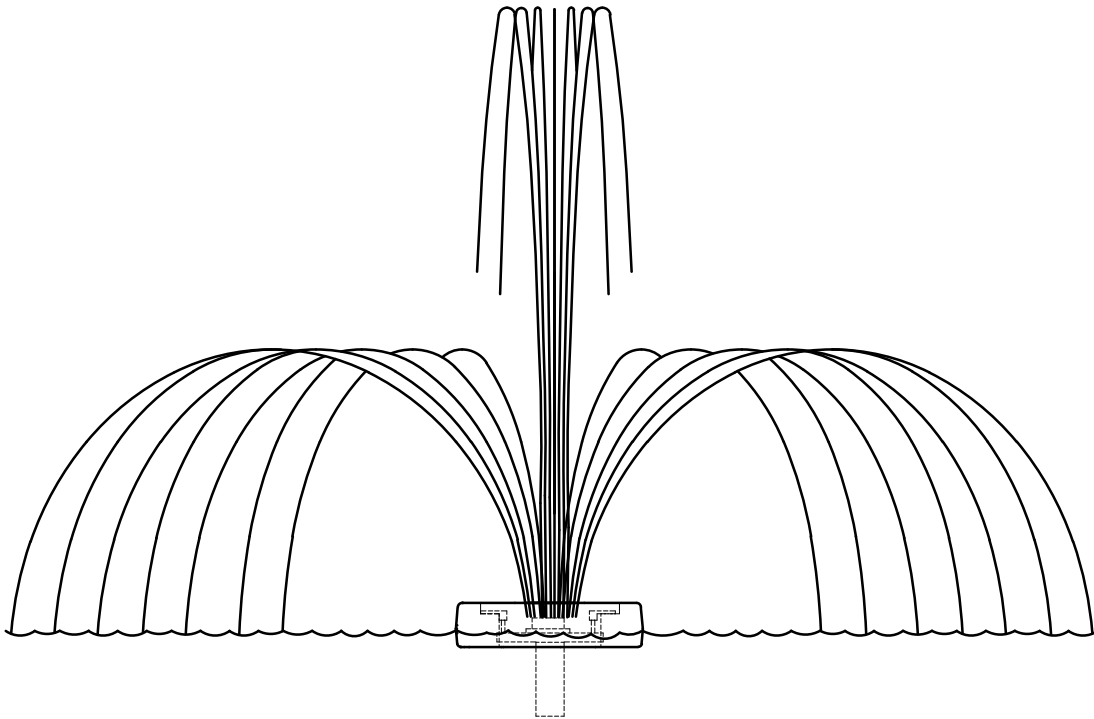




# AIR-O-LATOR

8100 PASEO  
KANSAS CITY, MISSOURI  
(816)363-4242



## LEGACY A WITH CJ

HP	VOLTAGE	PHASE	HZ	MAX AMPS	SPRAY HT.	SPRAY DIA.	GPM/LPM	VOLUME	MIN OP. DEPTH
1/2	115	1	60	12.0	6'/1.82M	11'/3.35M	80/302	Standard	18"/.46M
1/2	115	1	60	12.0	3'/.91M	5'/1.68M	40/151	Reduced	18"/.46M

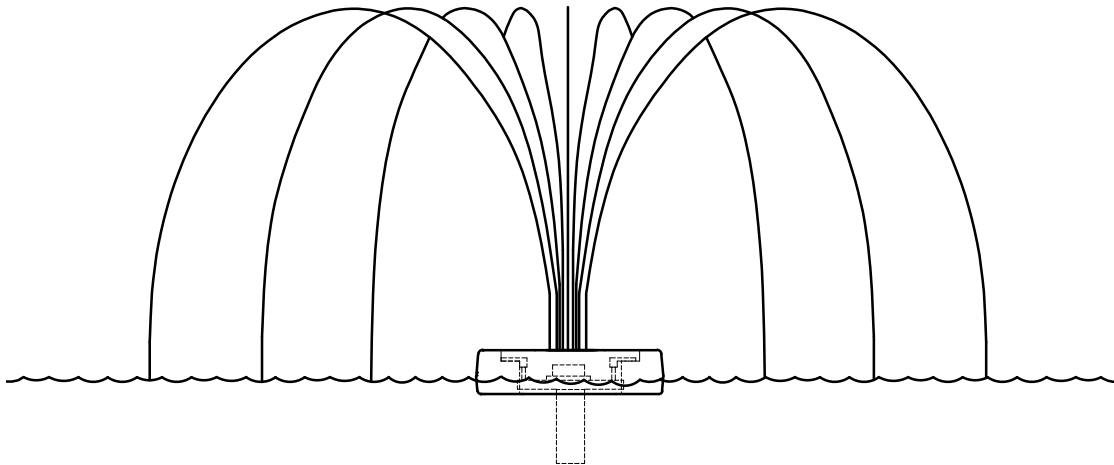
NOTES:

1. DO NOT SCALE DRAWINGS.
2. ALL ELECTRICAL INSTALLATIONS MUST MEET LOCAL ELECTRICAL CODES.
3. INSTALLATION MUST BE COMPLETED IN ACCORDANCE WITH MANUFACTURE'S SPECIFICATIONS.
4. PLEASE VISIT [WWW.CADdetails.COM/INFO](http://WWW.CADdetails.COM/INFO) FOR PRODUCT AND COMPANY INFORMATION



# AIR-O-LATOR

8100 PASEO  
KANSAS CITY, MISSOURI  
(816)363-4242



## LEGACY A W/O CJ

HP	VOLTAGE	PHASE	HZ	MAX AMPS	SPRAY HT.	SPRAY DIA.	GPM/LPM	VOLUME	MIN OP. DEPTH
1/2	115	1	60	12.0	4'/1.22M	12'/3.65M	80/302	Standard	18"/.46M
1/2	115	1	60	12.0	2'/.61M	6'/1.82M	40/151	Reduced	18"/.46M

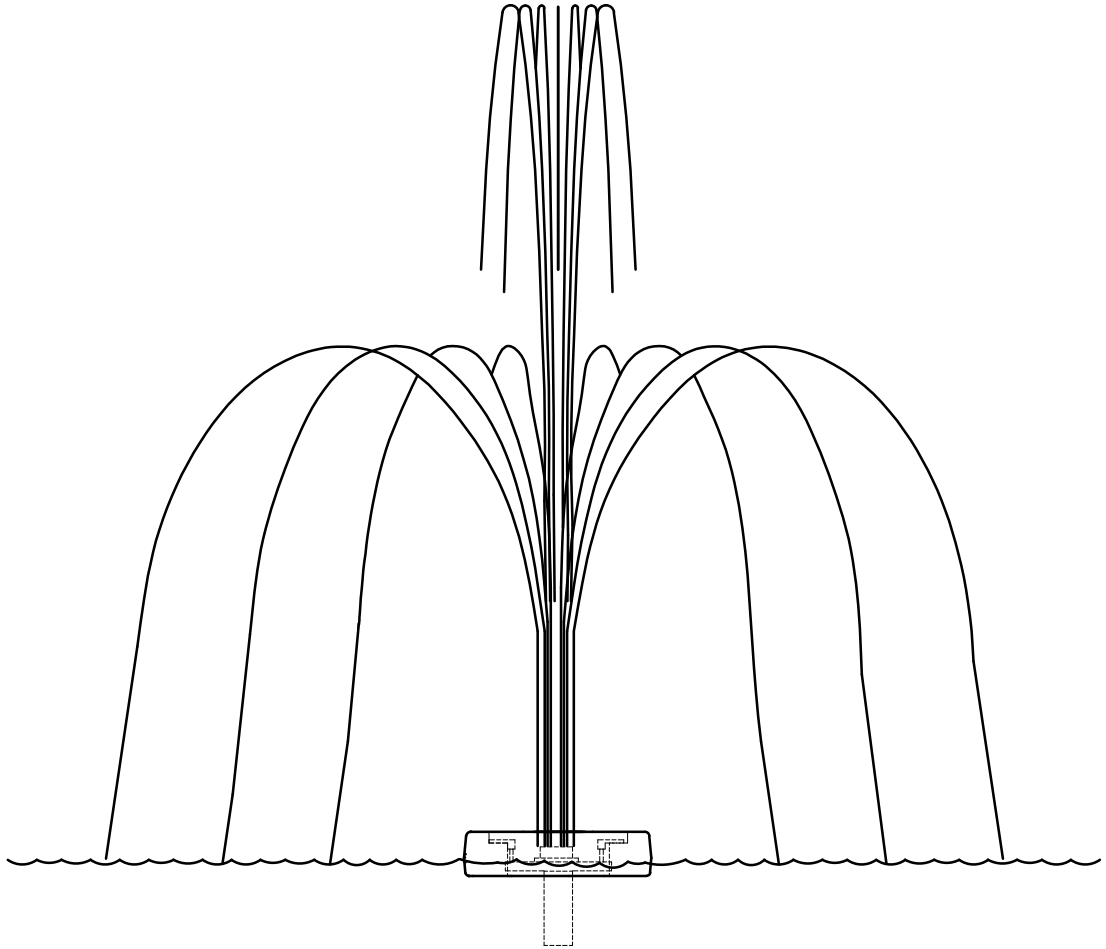
NOTES:

1. DO NOT SCALE DRAWINGS.
2. ALL ELECTRICAL INSTALLATIONS MUST MEET LOCAL ELECTRICAL CODES.
3. INSTALLATION MUST BE COMPLETED IN ACCORDANCE WITH MANUFACTURE'S SPECIFICATIONS.
4. PLEASE VISIT [WWW.CADdetails.COM/INFO](http://WWW.CADdetails.COM/INFO) FOR PRODUCT AND COMPANY INFORMATION



# AIR-O-LATOR

8100 PASEO  
KANSAS CITY, MISSOURI  
(816)363-4242



## LEGACY B WITH CJ

HP	VOLTAGE	PHASE	HZ	MAX AMPS	SPRAY HT.	SPRAY DIA.	GPM/LPM	VOLUME	MIN OP. DEPTH
1/2	115	1	60	12.0	9'/2.74M	16'/4.88M	80/302	Standard	18"/.46M
1/2	115	1	60	12.0	4'/1.37M	8'/2.44M	40/151	Reduced	18"/.46M

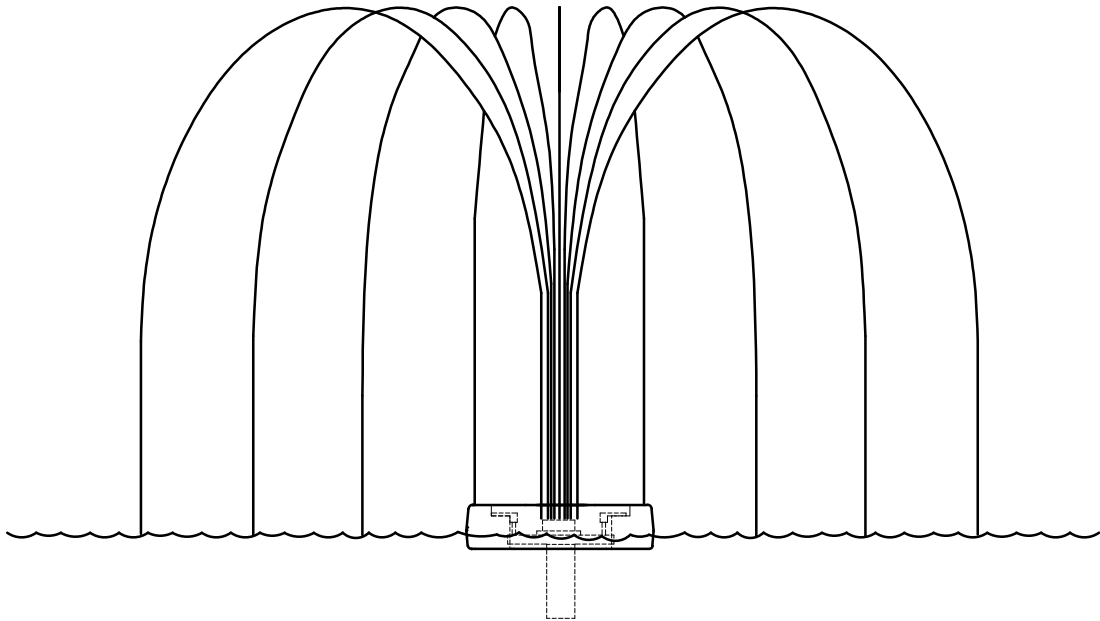
NOTES:

1. DO NOT SCALE DRAWINGS.
2. ALL ELECTRICAL INSTALLATIONS MUST MEET LOCAL ELECTRICAL CODES.
3. INSTALLATION MUST BE COMPLETED IN ACCORDANCE WITH MANUFACTURE'S SPECIFICATIONS.
4. PLEASE VISIT [WWW.CADdetails.COM/INFO](http://WWW.CADdetails.COM/INFO) FOR PRODUCT AND COMPANY INFORMATION



# AIR-O-LATOR

8100 PASEO  
KANSAS CITY, MISSOURI  
(816)363-4242



## LEGACY B W/O CJ

HP	VOLTAGE	PHASE	HZ	MAX AMPS	SPRAY HT.	SPRAY DIA.	GPM/LPM	VOLUME	MIN OP. DEPTH
1/2	115	1	60	12.0	9'/2.74M	16'/4.88M	80/302	Standard	18"/.46M
1/2	115	1	60	12.0	4'/1.37M	8'/2.44M	40/151	Reduced	18"/.46M

NOTES:

1. DO NOT SCALE DRAWINGS.
2. ALL ELECTRICAL INSTALLATIONS MUST MEET LOCAL ELECTRICAL CODES.
3. INSTALLATION MUST BE COMPLETED IN ACCORDANCE WITH MANUFACTURE'S SPECIFICATIONS.
4. PLEASE VISIT [WWW.CADdetails.COM/INFO](http://WWW.CADdetails.COM/INFO) FOR PRODUCT AND COMPANY INFORMATION