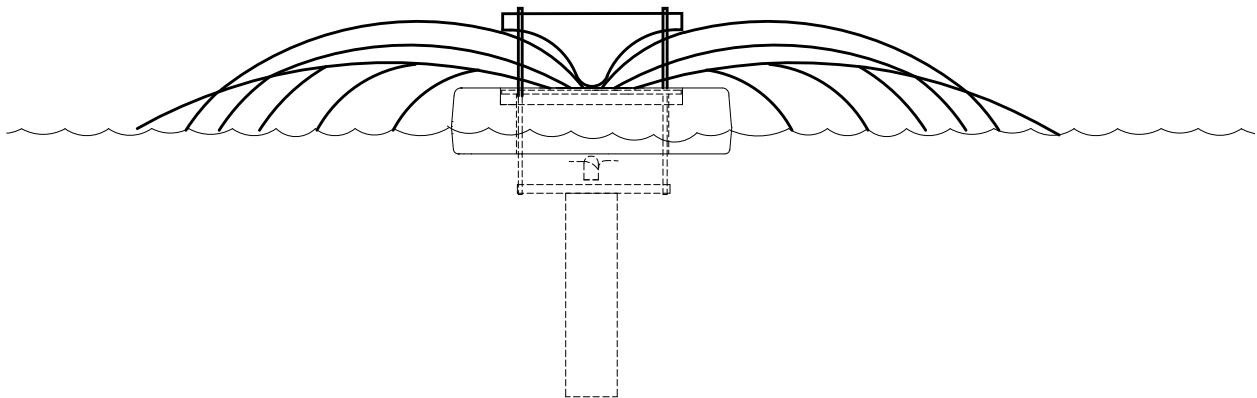




# AIR-O-LATOR

8100 PASEO  
KANSAS CITY, MISSOURI  
(816)363-4242



## AQUARIAN QUANTUM

MODEL	HP	VOLTS	PH	HZ	MTR/S.F. AMPS	MIN. HT.	MIN. DIA.	GPM/LPM	SOTR/HR (lbs./kg.)	MIN. OP. DEPTH
AQQ-50	5	230	1	60	23.0/27.5	10"/25.4CM	8'/2.4M	3,400/12,870	15/6.5	39"/.99M
AQQ-50	5	230	3	60	15.0/16.6	10"/25.4CM	8'/2.4M	3,400/12,870	15/6.5	39"/.99M
AQQ-50	5	460	3	60	7.5/8.3	10"/25.4CM	8'/2.4M	3,400/12,870	15/6.5	39"/.99M
AQC-750	7.5	230	1	60	36.5/42.0	10"/25.4CM	8'/2.4M	3,800/14,384	23/10.4	42"/1.1M
AQC-750	7.5	230	3	60	21.8/24.6	10"/25.4CM	8'/2.4M	3,800/14,384	23/10.4	42"/1.1M
AQC-750	7.5	460	3	60	10.9/12.3	10"/25.4CM	8'/2.4M	3,800/14,384	23/10.4	42"/1.1M
AQQ-100	10	230	1	60	45.0/51.0	12"/30.4CM	10'/3.0M	5,000/18,927	30/13.6	43"/1.2M
AQQ-100	10	230	3	60	28.4/32.2	12"/30.4CM	10'/3.0M	5,000/18,927	30/13.6	43"/1.2M
AQQ-100	10	460	3	60	14.2/16.1	12"/30.4CM	10'/3.0M	5,000/18,927	30/13.6	43"/1.2M
AQQ-150	15	230	3	60	41.6/47.4	12"/30.4CM	10'/3.0M	6,200/23,469	45/20.4	46"/1.3M
AQQ-150	15	460	3	60	20.8/23.7	12"/30.4CM	10'/3.0M	6,200/23,469	45/20.4	46"/1.3M

NOTES:

1. DO NOT SCALE DRAWINGS.
2. ALL ELECTRICAL INSTALLATIONS MUST MEET LOCAL ELECTRICAL CODES.
3. INSTALLATION MUST BE COMPLETED IN ACCORDANCE WITH MANUFACTURE'S SPECIFICATIONS.
4. PLEASE VISIT [WWW.CADdetails.COM/INFO](http://WWW.CADdetails.COM/INFO) FOR PRODUCT AND COMPANY INFORMATION