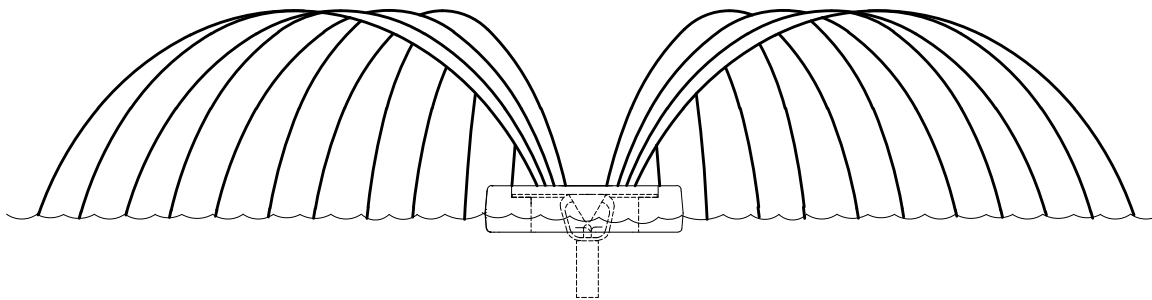




# AIR-O-LATOR

8100 PASEO  
KANSAS CITY, MISSOURI  
(816)363-4242



## AQUARIAN PROFESSIONAL

HP	VOLTAGE	PHASE	HZ	MAX AMPS	MIN. HT.	MIN. DIA.	GPM/LPM	SOTR/HR lbs./kg.	MIN OP. DEPTH
1/2	115	1	60	12	16"/.40M	4'/1.2M	500/1,893	2.3/1.04	18"/.46M
1/2	230	1	60	6	16"/.40M	4'/1.2M	500/1,893	2.3/1.04	18"/.46M
3/4	230	3	60	3.8	16"/.40M	4'/1.2M	500/1,893	2.3/1.04	18"/.46M
3/4	460	3	60	1.9	16"/.40M	4'/1.2M	500/1,893	2.3/1.04	18"/.46M
1	230	1	60	9.8	2'/.61M	6'/1.8M	1475/5,583	3.2/1.5	24"/.61M
1 1/2	230	3	60	5.9	2'/.61M	6'/1.8M	1475/5,583	3.2/1.5	24"/.61M
1 1/2	460	3	60	3	2'/.61M	6'/1.8M	1475/5,583	3.2/1.5	24"/.61M

NOTES:

1. DO NOT SCALE DRAWINGS.
2. ALL ELECTRICAL INSTALLATIONS MUST MEET LOCAL ELECTRICAL CODES.
3. INSTALLATION MUST BE COMPLETED IN ACCORDANCE WITH MANUFACTURE'S SPECIFICATIONS.
4. PLEASE VISIT [WWW.CADdetails.COM/INFO](http://WWW.CADdetails.COM/INFO) FOR PRODUCT AND COMPANY INFORMATION