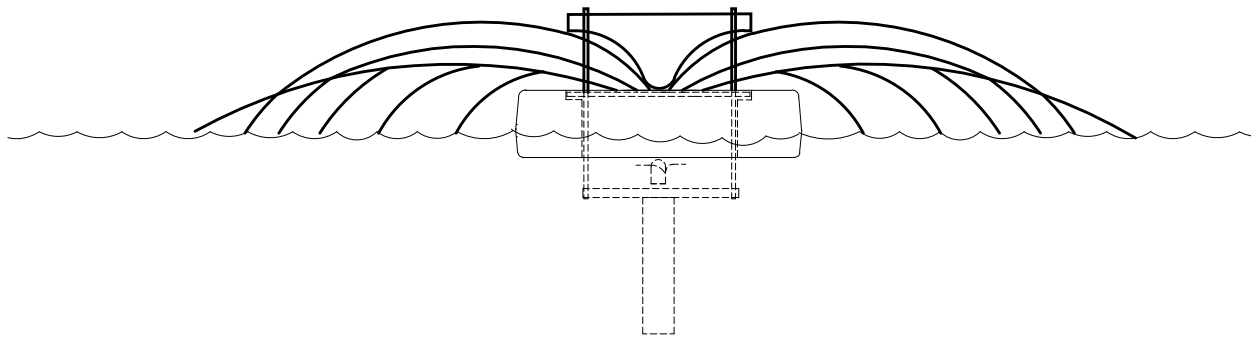




AIR-O-LATOR

8100 PASEO
KANSAS CITY, MISSOURI
(816)363-4242



AQUARIAN COMMERCIAL

HP	VOLTAGE	PHASE	HZ	MAX AMPS	MIN. HT.	MIN DIA.	GPM/LPM	SOTR/HR lbs./kg.	MIN OP. DEPTH
1	230	1	60	9.8	6"/.15CM	6'/1.8M	1700/6,435	3.2/1.5	36"/.92M
1 1/2	230	3	60	5.9	6"/.15CM	6'/1.8M	1700/6,435	3.2/1.5	36"/.92M
1 1/2	460	3	60	3.0	6"/.15CM	6'/1.8M	1700/6,435	3.2/1.5	36"/.92M
2	230	1	60	13.2	8"/.20CM	6'/1.8M	1700/6,435	5.5/2.49	36"/.92M
2	230	3	60	8.1	8"/.20CM	6'/1.8M	1700/6,435	5.5/2.49	36"/.92M
2	460	3	60	4.1	8"/.20CM	6'/1.8M	1700/6,435	5.5/2.49	36"/.92M
3	230	1	60	17.0	8"/.20CM	8'/2.4M	2700/10,220	6.0/2.72	36"/.92M
3	230	3	60	10.9	8"/.20CM	8'/2.4M	2700/10,220	6.0/2.72	36"/.92M
3	460	3	60	5.5	8"/.20CM	8'/2.4M	2700/10,220	6.0/2.72	36"/.92M

NOTES:

1. DO NOT SCALE DRAWINGS.
2. ALL ELECTRICAL INSTALLATIONS MUST MEET LOCAL ELECTRICAL CODES.
3. INSTALLATION MUST BE COMPLETED IN ACCORDANCE WITH MANUFACTURE'S SPECIFICATIONS.
4. PLEASE VISIT WWW.CADdetails.COM/INFO FOR PRODUCT AND COMPANY INFORMATION